

Check Valves



ACE VALVE



Check Valves



AV ACE VALVE COMPANY LIMITED
<http://www.acevalve.co.kr>

139-12, 1430 beon-gil, Seobu-ro, Juchon-myun,
Gimhae-si, Gyeongsangnam-do, Korea.

TEL +82-55-310-8000

FAX +82-55-329-0656-8

E-mail acevalve@acevalve.co.kr

Homepage www.acevalve.co.kr



AV ACE VALVE COMPANY LIMITED
<http://www.acevalve.co.kr>



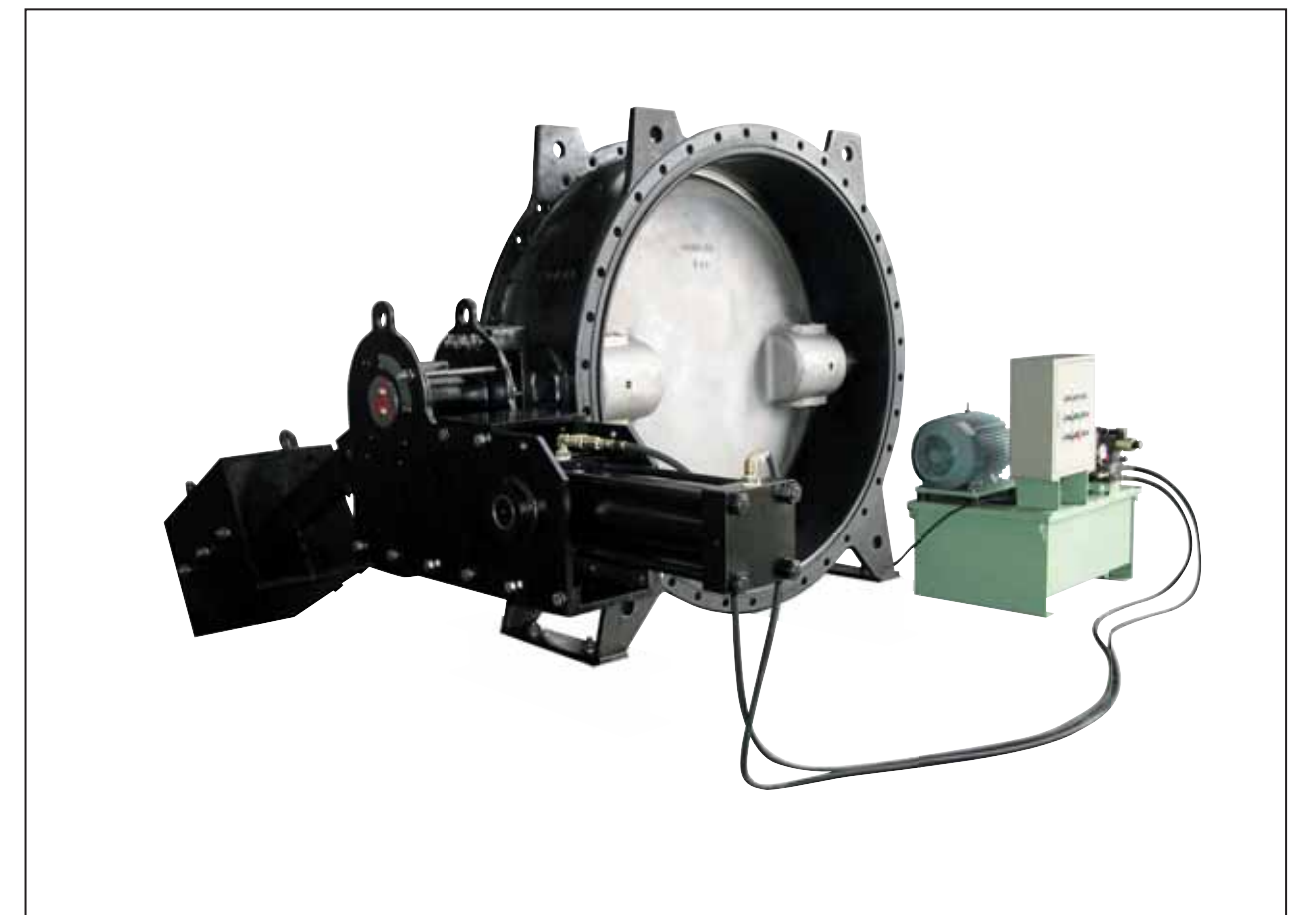
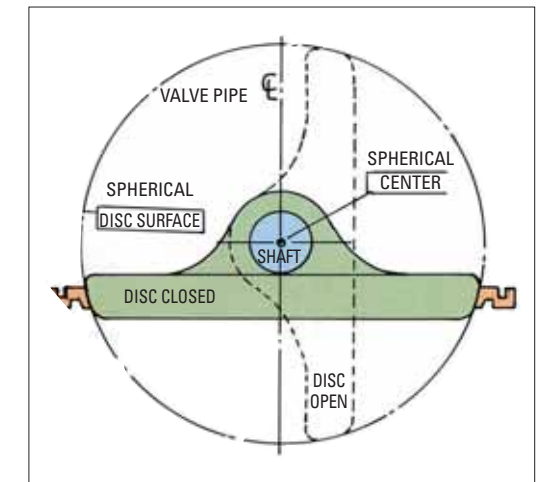
**A Top - ranking company in the 21st century by
challenging the potential**

ACE VALVE has provided the best quality products by using accumulated technological knowhow and the most advanced machinery.
Now we challenge the whole world market of Check valve.

Combined Check Valves

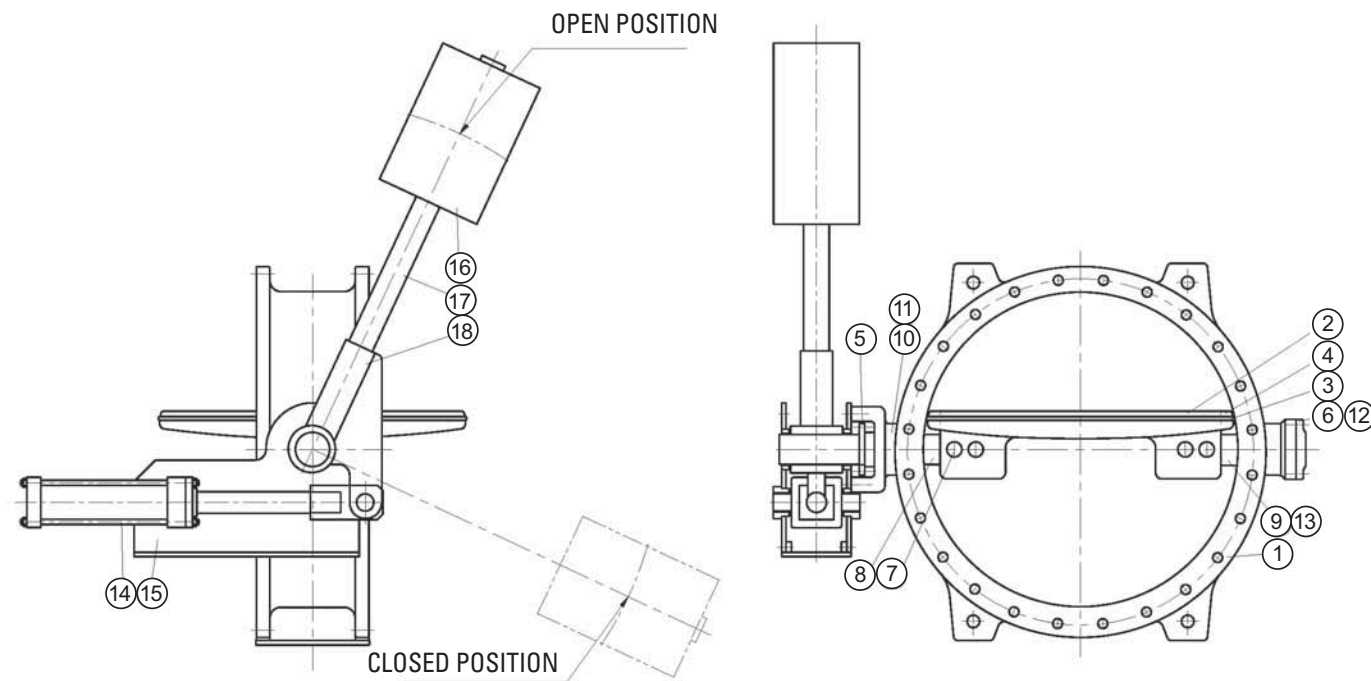
This valve is provided both butterfly valve and quick check closing function

The valve is consisted of hydraulic cylinder, counter weight for emergency shut-off and hydraulic generator unit, etc. In normal condition, it is used as a general valve. In emergency condition, (e.g. power failure, a condition of urgently closing the valve as there is no continuous operating sources) however, all hydraulic circuits are converted to shut-off circuits which can close the valve by operation of weight for emergency shut-off and a lever. Shut off speed can be adjusted by a relief valve on hydraulic generator unit.



Combined Check Valves

Construction of Material



Outline of Combined Check Valves

It is consisted of butterfly valve with hydraulic actuator, balance weight, hydraulic power unit, and control panel. The butterfly valve shall be same construction and material as standard.

The hydraulic circuit is provided to operate the valve in normal condition with additional function to close the valve quickly in emergency such as abnormally high flow pressure, power failure, etc.

The hydraulic pressure of the system shall be 50~70 bar or 100~120 bar.

Feature

1. Open in normal position
2. Closed in normal position
3. Shut-off in case of emergency
(Valve shut-off speed can be adjusted by two steps at site)
4. Intermediate open / close control

NO.	PART NAME	MATERIAL
1	BODY	CAST STEEL / DUCTILE IRON STAINLESS STEEL / NI-AL BRONZE
2	DISC	STAINLESS STEEL / DUCTILE IRON NI-AL BRONZE
3	SEAT	EPDM / NBR / VITON
4	RETAINER	STAINLESS STEEL / NI-AL BRONZE
5	PACKING GLAND	DUCTILE IRON / CAST STEEL STAINLESS STEEL / NI-AL BRONZE
6	BOTTOM COVER	CAST STEEL / DUCTILE IRON STAINLESS STEEL / NI-AL BRONZE
7	DISC PIN	STAINLESS STEEL
8	STEM	STAINLESS STEEL(304, 316, 316L, 630(17-4PH), SUPER DUPLEX, MONEL)
9	STEM BEARING	OILLESS BEARING
10	V-PACKING	EPDM / NBR / VITON
11	GLAND RING	BRONZE
12	THRUST PLATE	BRONZE
13	SHAFT O-RING	EPDM / NBR / VITON
14	HYD' CYLINDER	ASS'Y
15	SUPPORT BRACKET	STEEL
16	COUNTER WEIGHT	STEEL
17	ADJUST LEVER	STEEL
18	JOINT & ARM	STEEL

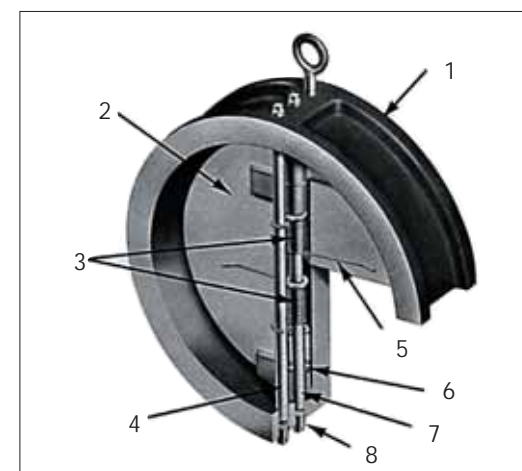
Dual Disc Wafer Check Valves



Dual Disc Wafer Check Valves are available for your Process Conditions

- A complete range of sizes from 2 to 48 inches.
- A wide variety of cast fabricated materials for bodies, disc and trim for all types of service and temperature conditions.
- Designed and rated in accordance with API 594.
- For operational temperatures from -29°C to 815°C (depends on materials of construction).

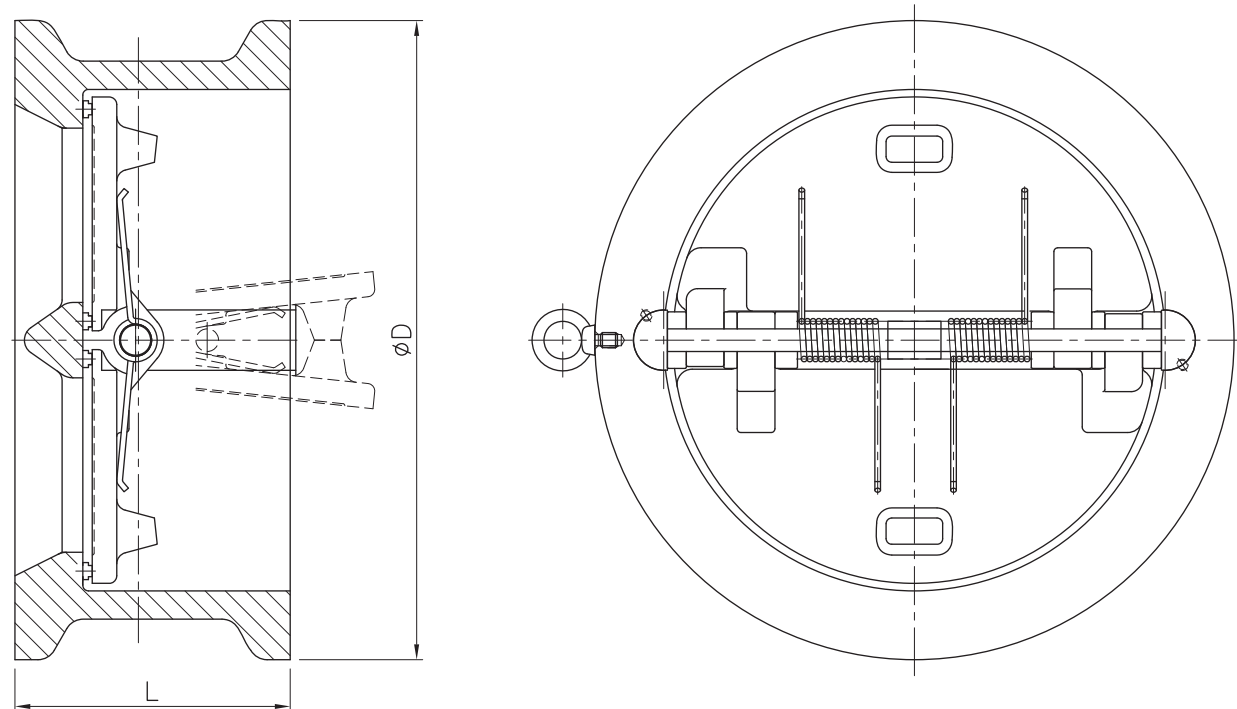
Design Features



1. One-piece body casting for maximum corrosion resistance.
2. Dual-Disc design for lightweight, small size, and strength.
3. Spring action closes each plate independently.
4. Stop pin.
5. Long-leg spring action eliminates seat scrubbing.
6. Hinge sleeve provides independent plate suspension.
7. Hinge pin.
8. Pin retainer.

NO.	PART NAME	MATERIAL
1	BODY	CAST IRON / DUCTILE IRON / CARBON STEEL SS. STEEL / NI-AL BRONZE
2	DUAL-DISC	STAINLESS STEEL / BRONZE / NI-AL BRONZE
3	SPRING	STAINLESS STEEL
4	STOP PIN	STAINLESS STEEL
5	SPRING-LONG	STAINLESS STEEL
6	LUG BEARING	TEFLON / STAINLESS STEEL
7	HINGE PIN	STAINLESS STEEL
8	PIN RETAINER	STAINLESS STEEL / MILD STEEL

Dual Disc Wafer Check Valves

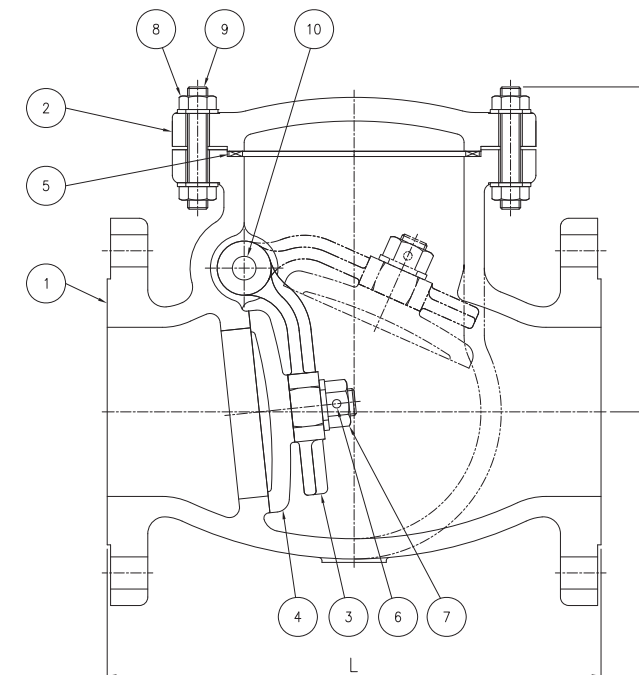


VALVE DIMENSIONS

unit : mm

SIZE		150LB		300LB		600LB		900LB		1500LB		2500LB	
inch	mm	L	D	L	D	L	D	L	D	L	D	L	D
50	2"	60	105	60	111	60	111	70	143	70	143	70	146
65	2.5"	67	124	67	130	67	130	83	165	83	165	83	168
80	3"	73	137	73	149	73	149	83	168	83	175	86	197
100	4"	73	175	73	181	79	194	102	206	102	210	105	235
150	6"	98	222	98	251	136	267	159	289	159	283	159	318
200	8"	127	279	127	308	165	321	206	359	206	352	206	387
250	10"	146	340	146	362	213	400	248	435	248	435	254	476
300	12"	181	410	181	422	229	457	305	498	305	521	305	549
350	14"	184	451	222	486	273	492	356	521	356	578	-	-
400	16"	191	514	232	540	305	565	384	575	384	641	-	-
450	18"	203	549	264	597	362	613	468	638	468	705	-	-
500	20"	219	606	292	654	368	683	533	699	533	756	-	-
600	24"	222	718	318	775	438	791	559	838	559	902	-	-

Swing Check Valves



CONSTRUCTION OF MATERIAL

NO.	PART NAME	MATERIAL
1	BODY	CAST IRON / CARBON STEEL STAINLESS STEEL
2	COVER	CAST IRON / CARBON STEEL STAINLESS STEEL
3	HINGE ARM	CAST IRON / CARBON STEEL STAINLESS STEEL
4	DISC	CAST IRON / CARBON STEEL STAINLESS STEEL
5	GASKET	NON ASBESTOS
6	COTTER PIN	STAINLESS STEEL
7	DISC NUT	STAINLESS STEEL
8	COVER NUT	STAINLESS STEEL
9	COVER STUD BOLT	STAINLESS STEEL
10	HINGE PIN	STAINLESS STEEL

VALVE DIMENSIONS

unit : mm

SIZE		150LB		300LB		600LB		900LB		1500LB		2500LB	
inch	mm	L	H	L	H	L	H	L	H	L	H	L	H
50	2"	203	140	267	160	292	210	368	310	368	310	451	1410
65	2.5"	216	160	292	170	330	220	419	330	419	330	508	420
80	3"	241	170	318	185	356	265	381	360	470	375	578	440
100	4"	292	210	356	230	432	310	457	390	546	430	673	540
150	6"	356	250	444	295	559	390	610	450	705	565	914	700
200	8"	495	280	533	345	660	540	737	565	832	665	1022	720
250	10"	622	320	622	390	787	600	838	730	991	730	1270	850
300	12"	699	330	711	445	838	620	965	780	1130	900	1422	1000
350	14"	787	395	838	470	889	680	1029	800	1257	1035	-	-
400	16"	864	450	864	510	991	810	1130	870	1383	1060	-	-
450	18"	978	530	978	545	1092	960	1219	920	1537	1190	-	-
500	20"	978	570	1016	600	1194	1020	1321	1050	1664	1300	-	-
600	24"	1295	670	1346	690	1397	1200	1549	1200	1943	1450	-	-