

Gate & Globe Valves



ACE VALVE



Gate & Globe Valves



AV ACE VALVE COMPANY LIMITED
<http://www.acevalve.co.kr>

139-12, 1430 beon-gil, Seobu-ro, Juchon-myun,
Gimhae-si, Gyeongsangnam-do, Korea.

TEL +82-55-310-8000

FAX +82-55-329-0656~8

E-mail acevalve@acevalve.co.kr

Homepage www.acevalve.co.kr



AV ACE VALVE COMPANY LIMITED
<http://www.acevalve.co.kr>



**A Top - ranking company in the 21st century by
challenging the potential**

ACE VALVE has provided the best quality products by using accumulated technological knowhow and the most advanced machinery.
Now we challenge the whole world market of gate & globe valve.

Specification of Gate & Globe Valves

Bolted Bonnet metal seated gate & globe valves are widely used on piping system and for industrial plants.

TYPE NUMBERING SYSTEM

- AV-S Bolted Bonnet Gate Valve.
- AV-G Bolted Bonnet Outside & Yoke Globe Valve

STANDARD COMPLIANCE

- The face to face dimension shall be in accordance with ASME B 16.10.
- The body is designed to API 600, ASME B 16.34, BS1873.

PRODUCTION RANG

- SIZE : DN 50mm (2 inch) ~ DN 1500mm (60 inch)
- WORKING PRESSURE : UP to 430.9 bar
- WORKING TEMPERATURE : -196 °C ~ +815 °C

APPLICABLE FLANGE

- ASME Class 150LB, 300LB, 600LB, 900LB, 1500LB, 2500LB
- EN 1092 PN6, PN10, PN16, PN25, PN40, PN63
- ISO 7005 PN6, PN10, PN16, PN20, PN25, PN40



Gate Valves

Features

The valve shut off at a right angle with flow direction of fluid by vertical movement of wedge.

1. Simple opening / closing.
2. Not suitable for control of flow.
3. Double sealing effectiveness by both side of seat.
4. When wedge is fully opened, fluid flow disturbance shall be minimized by deviatin from inside diameter.

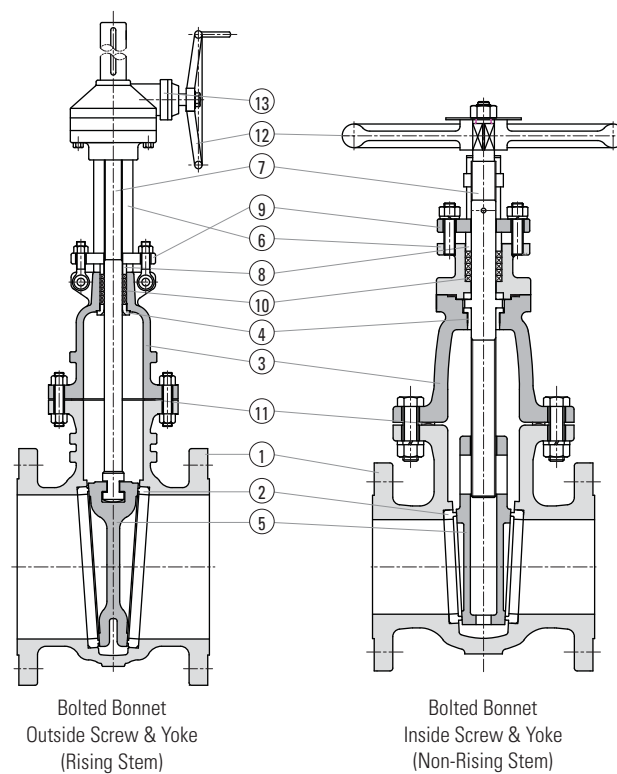
Operations

The following operation of the valve is available and the selection is depend on the valve location, the type of work and service for each the valve.

- Manual hand wheel Operation
- Manual bevel gear Operation
- Hydraulic actuator Operation
- Electric actuator Operation
- Pneumatic actuator Operation

Construction of Materials

NO.	PART NAME	MATERIAL
1	BODY	CAST STEEL / STAINLESS STEEL
2	BODY SEAT RING	STEEL with 13Cr. FACED / STAINLESS STEEL
3	BONNET	CAST STEEL / STAINLESS STEEL
4	BUSH RING	STEEL with 13Cr. FACED / STAINLESS STEEL
5	DISC	STEEL with 13Cr. FACED / STAINLESS STEEL
6	YOKE	CAST STEEL / STAINLESS STEEL
7	STEM	STAINLESS STEEL
8	GLAND RING	STAINLESS STEEL
9	PACKING GLAND	CAST STEEL / STAINLESS STEEL
10	PACKING	NON-ASBESTOS
11	GASKET	NON-ASBESTOS
12	HAND WHEEL	CAST IRON / CAST STEEL
13	GEAR BOX	ASS'Y



Globe Valves

Features

The valve shut off flow direction of fluid by vertical movement of plug type disc.

1. Suitable for the use of flow control and opening / closing fluid in uni-direction.
2. Short opening and closing fine.
3. As linear movement valve, long face to face dimension is featured for adopting long flow passage which is required to ensure smooth flow by valve without sudden revolution.

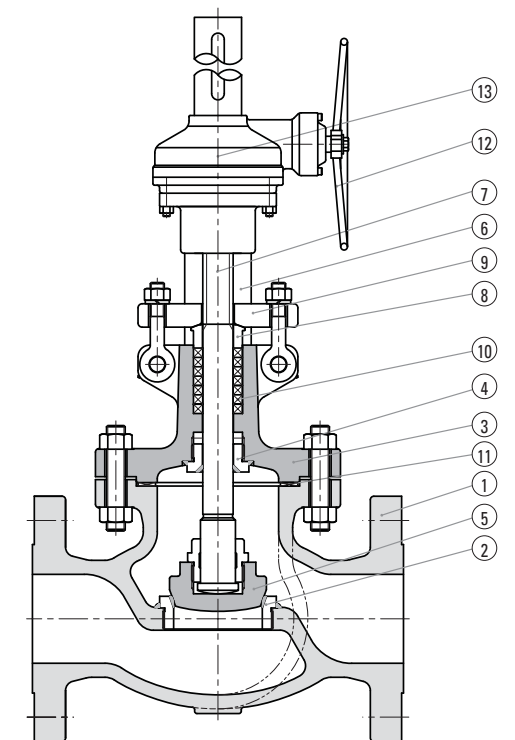
Operations

The following operation of the valve is available and the selection is depend on the valve location, the type of work and service for each the valve.

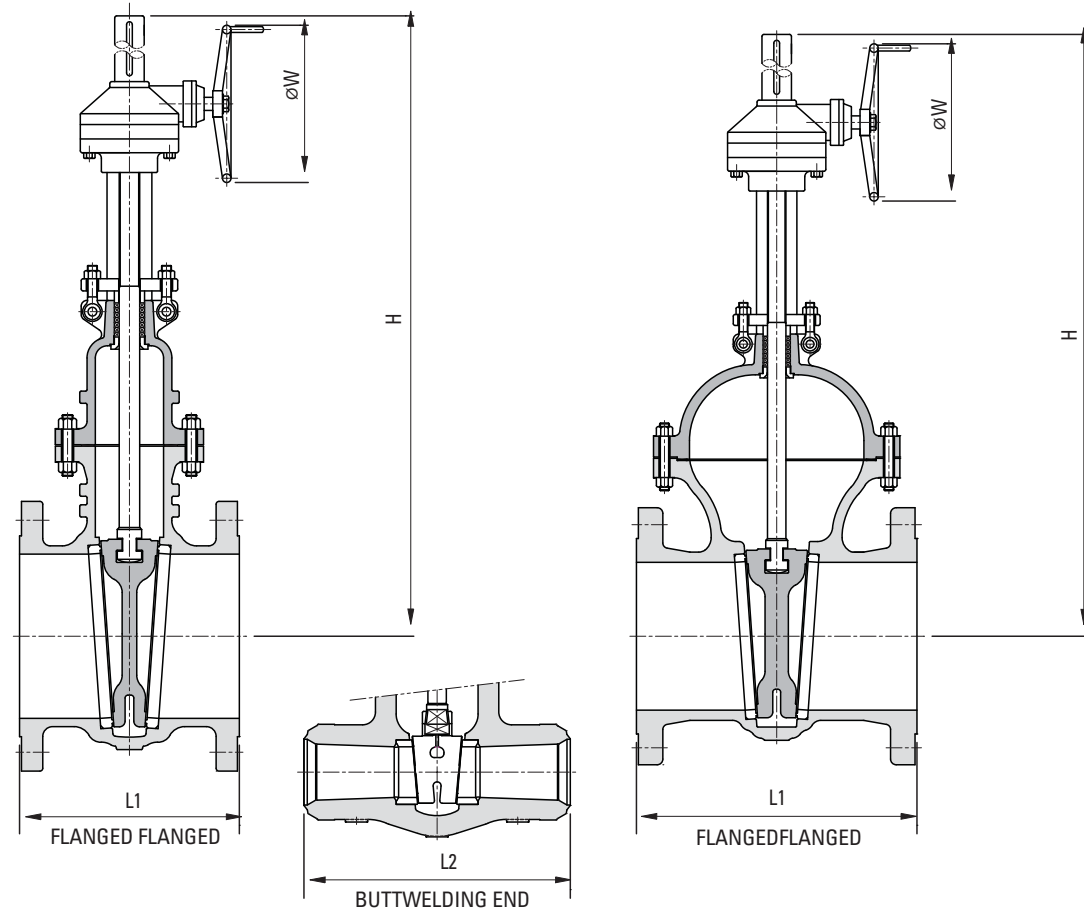
- Manual hand wheel Operation
- Manual bevel gear Operation
- Hydraulic actuator Operation
- Electric actuator Operation
- Pneumatic actuator Operation

Construction of Materials

NO.	PART NAME	MATERIAL
1	BODY	CAST STEEL / STAINLESS STEEL
2	BODY SEAT RING	STEEL with 13Cr. FACED / STAINLESS STEEL
3	BONNET	CAST STEEL / STAINLESS STEEL
4	BUSH RING	STEEL with 13Cr. FACED / STAINLESS STEEL
5	DISC	STEEL with 13Cr. FACED / STAINLESS STEEL
6	YOKE	CAST STEEL / STAINLESS STEEL
7	STEM	STAINLESS STEEL
8	GLAND RING	STAINLESS STEEL
9	PACKING GLAND	CAST STEEL / STAINLESS STEEL
10	PACKING	NON-ASBESTOS
11	GASKET	NON-ASBESTOS
12	HAND WHEEL	CAST IRON / CAST STEEL
13	GEAR BOX	ASS'Y



Gate Valve CLASS 150LB & 300LB



CLASS 150LB

(unit : mm)

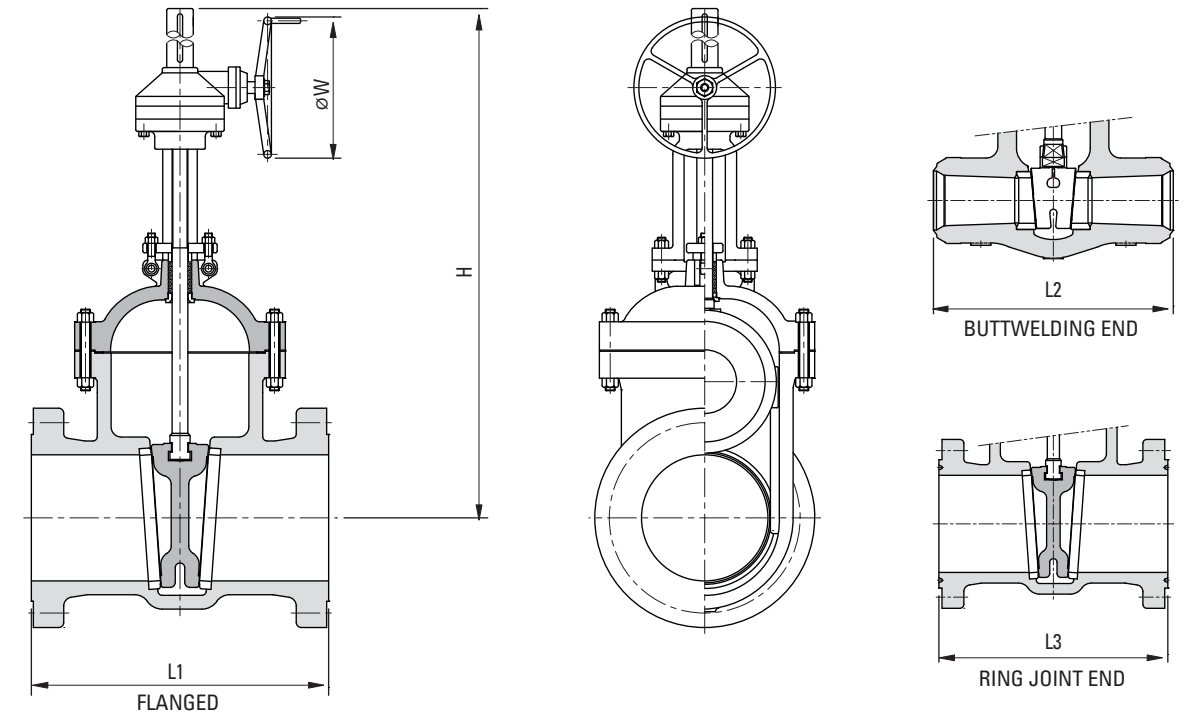
SIZE	2"	2.5"	3"	4"	6"	8"	10"	12"	14"	16"	18"	20"	24"	28"	30"	36"	40"	42"	48"	52"	56"	60"	
	50A	65A	80A	100A	150A	200A	250A	300A	350A	400A	450A	500A	600A	700A	750A	900A	1000A	1050A	1200A	1300A	1400A	1500A	
L1	178	190	203	229	267	292	330	356	381	406	432	457	508	610	610	711	762	813	864	914	1041	1067	
L2	216	241	282	305	403	419	457	502	572	610	660	711	813	914	914	1016	1067	1092	1064	1372	-	-	
H	352	433	465	571	756	940	1183	1330	1541	1818	2221	2423	2789	3294	3494	3884	4301	4444	5215	5709	6458	6985	
W	200	200	200	250	300	355	400	450	500	560	560	630	630	710	710	800	900	900	900	900	1000	1000	
WEIGHT (KG)	FLANGED	18	26	30	43	71	110	165	240	380	540	730	850	1660	2190	2320	4430	4720	4750	7130	8600	10400	12800
	BUTTWELD	16	21	26	38	60	92	141	212	340	504	634	731	1402	2102	2230	4281	4233	4526	6399	7650	-	-

CLASS 300LB

(unit : mm)

SIZE	2"	2.5"	3"	4"	6"	8"	10"	12"	14"	16"	18"	20"	24"	28"	30"	36"	40"	42"	48"	
	50A	65A	80A	100A	150A	200A	250A	300A	350A	400A	450A	500A	600A	700A	750A	900A	1000A	1050A	1200A	
L1 & L2	216	241	282	305	403	419	457	502	762	838	914	991	1143	1346	1397	1727	1930	1981	2215	
H	386	461	482	592	783	969	1195	1432	1739	1965	2272	2531	2833	3462	3616	3981	4621	4799	5812	
W	200	200	250	250	355	400	450	500	560	630	630	710	710	800	900	900	900	900	900	
WEIGHT (KG)	FLANGED	23	34	39	43	121	153	221	369	553	869	1203	1359	2019	3119	4019	5929	6200	6850	9020
	BUTTWELD	20	27	34	38	102	128	189	326	495	811	1045	1169	1705	2994	3863	5730	-	-	-

Gate Valve CLASS 600LB, 900LB and 1500LB



CLASS 600LB

(unit : mm)

SIZE	2"	2.5"	3"	4"	6"	8"	10"	12"	14"	16"	18"	20"	24"	28"	30"	36"	40"	42"	
	50A	65A	80A	100A	150A	200A	250A	300A	350A	400A	450A	500A	600A	700A	750A	900A	1000A	1050A	
L1 & L2	292	330	356	432	559	660	787	838	889	991	1092	1194	1397	1549	1651	2083	2387	2438	
L3	295	333	359	435	562	663	790	841	892	994	1095	1200	1407	1562	1663	2098	-	-	
H	482	499	561	687	895	1092	1268	1706	1842	2039	2350	2670	2865	3496	3709	4569	5280	5739	
W	250	250	250	355	400	450	500	560	630	630	710	710	900	900	900	900	900	900	
WEIGHT (KG)	FLANGED	31	49	62	106	207	316	539	978	1125	1619	2043	2789	4163	5539	6029	8149	8546	9781
	BUTTWELD	28	40	54	94	175	264	461	864	1007	1511	1774	2399	3516	5316	5795	7875	-	-

CLASS 900LB

(unit : mm)

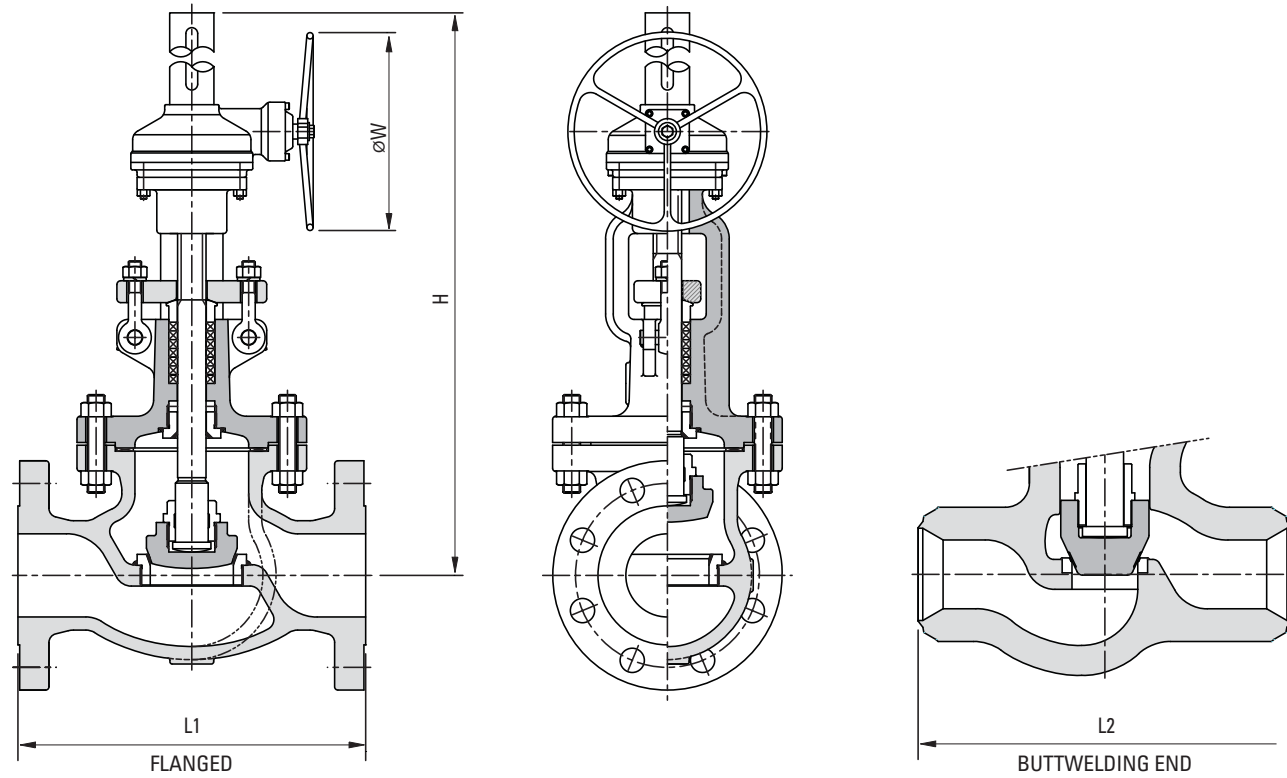
SIZE	2"	2.5"	3"	4"	6"	8"	10"	12"	14"	16"	18"	20"	24"	
	50A	65A	80A	100A	150A	200A	250A	300A	350A	400A	450A	500A	600A	
L1 & L2	368	419	381	457	610	737	838	965	1029	1130	1219	1321	1549	
L3	371	422	384	460	613	740	841	968	1038	1140	1232	1334	1568	
H	539	651	686	788	962	1145	1610	1860	1929	2148	2619	2812	3159	
W	355	400	400	450	500	560	630	710	900	900	900	900	900	
WEIGHT (KG)	FLANGED	63	133	138	140	376	699	1199	1293	1896	2673	3321	4060	6132
	BUTTWELD	57	109	120	124	318	584	1025	1142	1697	2495	2884	3492	5179

CLASS 1500LB

(unit : mm)

SIZE	2"	2.5"	3"	4"	6"	8"	10"	12"	14"	16"	18"	20"	24"	
	50A	65A	80A	100A	150A	200A	250A	300A	350A	400A	450A	500A	600A	
L1 & L2	368	419	470	546	705	832	991	1130	1257	1384	1537	1664	1943	
L3	371	422	473	549	711	842	1000	1146	1276	1406	1559	1686	1971	
H	544	675	725	795	1258	1625	1815	2103	2204	2495	2754	3058	3685	
W	355	400	450	500	560	630	710	900	900	900	900	900	900	
WEIGHT (KG)	FLANGED	85	160	172	261	605	1492	1996	3831	4125	6967	8898	11059	16158
	BUTTWELD	77	131	150	231	512	1247	1706	3384	3692	6503	7727	9512	13647

Globe Valve CLASS 150LB and 300LB



CLASS 150LB

(unit : mm)

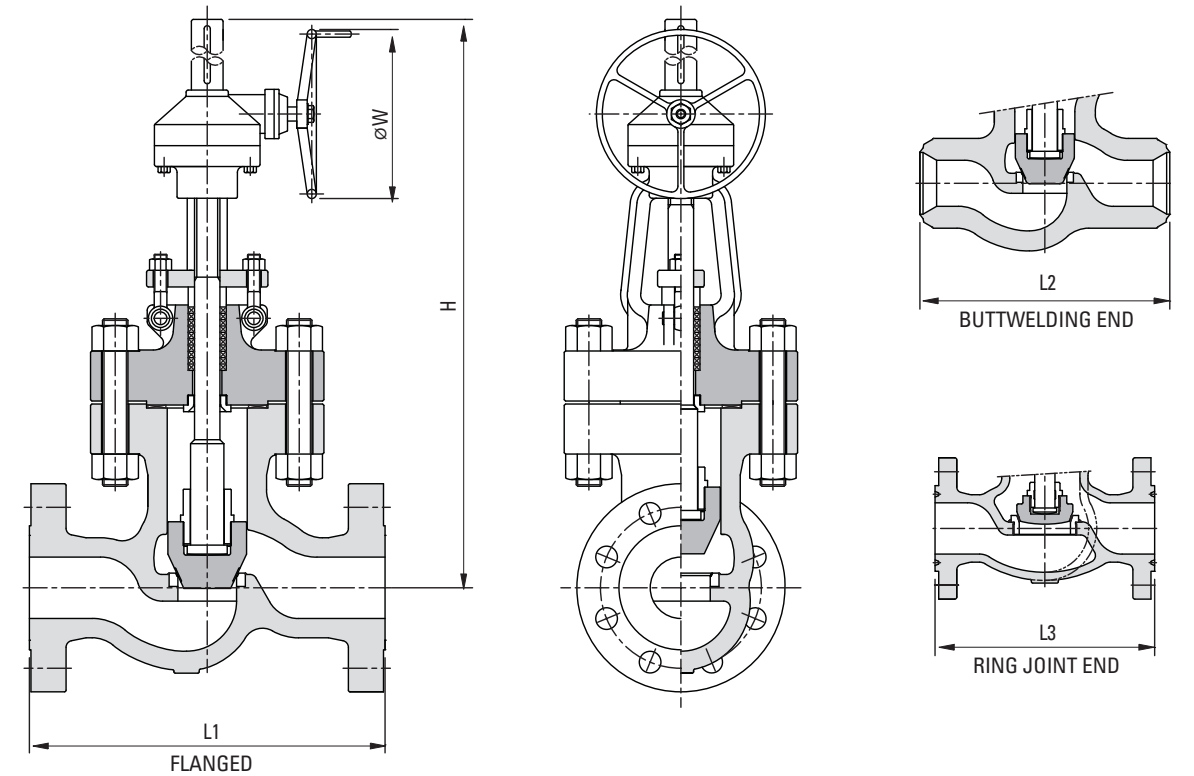
SIZE	2"	2.5"	3"	4"	6"	8"	10"	12"	14"	16"	18"	20"	24"	
	50A	65A	80A	100A	150A	200A	250A	300A	350A	400A	450A	500A	600A	
L1 & L2	203	216	241	292	406	495	622	698	787	914	978	978	1295	
H	333	403	438	506	589	721	799	1020	1355	1452	1995	2212	2421	
W	200	250	250	250	355	355	450	500	710	710	900	900	900	
WEIGHT (KG)	FLANGED	22	37	42	59	108	192	299	416	669	897	1745	1892	2105
	BUTTWELD	18	32	36	47	92	165	267	368	606	815	1585	1719	1913

CLASS 300LB

(unit : mm)

SIZE	2"	2.5"	3"	4"	6"	8"	10"	12"	14"	16"	18"	20"	24"	
	50A	65A	80A	100A	150A	200A	250A	300A	350A	400A	450A	500A	600A	
L1 & L2	267	292	318	356	444	559	622	711	838	914	978	1016	1346	
H	355	432	463	556	751	813	1182	1293	1592	1692	2046	2320	2465	
W	250	250	250	355	450	560	710	900	900	900	900	900	900	
WEIGHT (KG)	FLANGED	29	35	54	83	162	229	518	1010	1029	1542	2548	2762	3073
	BUTTWELD	24	30	46	66	138	197	463	893	932	1401	2251	2441	2766

Globe Valve CLASS 600LB, 900LB and 1500LB



CLASS 600LB

(unit : mm)

SIZE	2"	2.5"	3"	4"	6"	8"	10"	12"	14"	16"	
	50A	65A	80A	100A	150A	200A	250A	300A	350A	400A	
L1 & L2	292	330	356	432	559	660	787	838	889	991	
L3	295	333	359	435	562	664	791	841	892	994	
H	430	432	535	611	799	1312	1512	1778	1867	1912	
W	250	355	355	450	560	710	900	900	900	900	
WEIGHT (KG)	FLANGED	32	35	49	101	189	510	799	1599	2512	3362
	BUTTWELD	26	30	42	80	161	438	713	1415	2275	3055

CLASS 900LB

(unit : mm)

SIZE	2"	2.5"	3"	4"	6"	8"	10"	12"	14"	16"	
	50A	65A	80A	100A	150A	200A	250A	300A	350A	400A	
L1 & L2	368	419	381	457	610	737	838	965	1029	1130	
L3	371	422	384	460	613	740	841	968	1038	1140	
H	701	711	771	886	1180	1521	1769	1953	2219	2629	
W	355	400	400	450	560	710	900	900	900	900	
WEIGHT (KG)	FLANGED	73	124	139	151	328	1112	1875	2412	3356	3912
	BUTTWELD	60	107	119	120	279	956	1674	2134	3040	3554

CLASS 1500LB

(unit : mm)

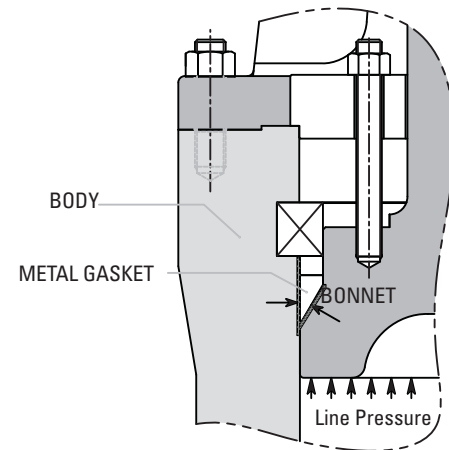
SIZE	2"	2.5"	3"	4"	6"	8"	10"	12"	14"	16"	
	50A	65A	80A	100A	150A	200A	250A	300A	350A	400A	
L1 & L2	368	419	470	546	705	832	991	1130	1257	1384	
L3	371	422	473	549	711	841	1000	1146	1276	1407	
H	701	711	805	1011	1405	1920	2284	2455	2985	3756	
W	400	400	450	560	710	900	900	900	900	900	
WEIGHT (KG)	FLANGED	73	124	163	257	558	1810	2927	4005	4965	6095
	BUTTWELD	60	107	140	204	475	1556	2613	3543	4497	5537

Pressure Seal Gate Valve

Basic Mechanism

Internal line pressure pushes the bonnet upward and forces the tapered surface against a tapered metal gasket that is retained in the neck. This force creates a unit load between the bonnet and the gasket that affects a seal between the two surfaces.

In addition, the angle of the taper creates a radial component of this force that affects a seal between the outside diameter of the gasket and body neck.



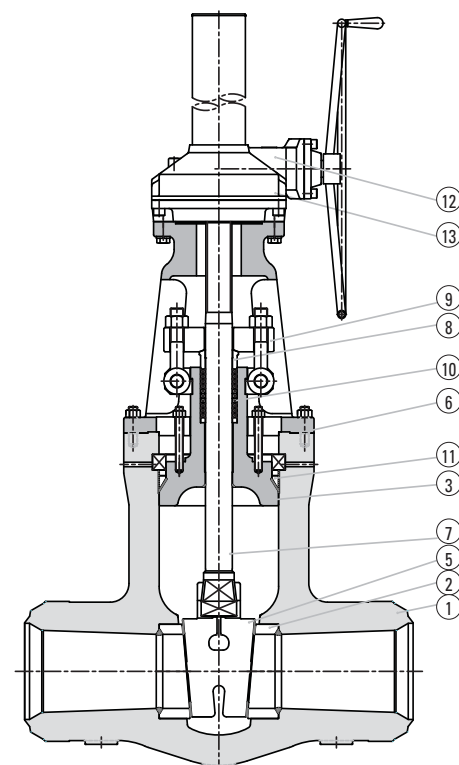
Features

The valve shut off at a right angle with flow direction of fluid by vertical movement of wedge.

1. Simple opening / closing.
2. Not suitable for control of flow.
3. Double sealing effectiveness by both side of seat.
4. When wedge is fully opened, fluid flow disturbance shall be minimized by deviation from inside diameter.

Construction of Materials

NO.	PART NAME	MATERIAL
1	BODY	CAST STEEL / STAINLESS STEEL
2	BODY SEAT	STEEL with 13Cr. FACED / STAINLESS STEEL
3	BONNET	STEEL with 13Cr. FACED / STAINLESS STEEL
5	DISC	STEEL with 13Cr. FACED / STAINLESS STEEL
6	YOKE	CAST STEEL / STAINLESS STEEL
7	STEM	STAINLESS STEEL
8	GLAND RING	STAINLESS STEEL
9	PACKING FLANGE	STEEL / STAINLESS STEEL
10	PACKING	NON-ASBESTOS / GRAPHITE / PTFE
11	METAL GASKET	STAINLESS STEEL
12	HAND WHEEL	STEEL / CAST IRON
13	GEAR BOX	ASS'Y

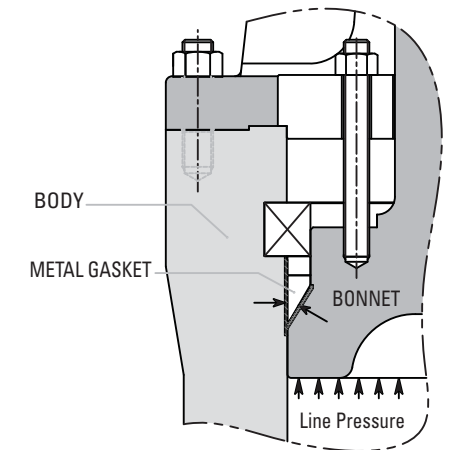


Pressure Seal Globe Valve

Basic Mechanism

Internal line pressure pushes the bonnet upward and forces the tapered surface against a tapered metal gasket that is retained in the neck. This force creates a unit load between the bonnet and the gasket that affects a seal between the two surfaces.

In addition, the angle of the taper creates a radial component of this force that affects a seal between the outside diameter of the gasket and body neck.



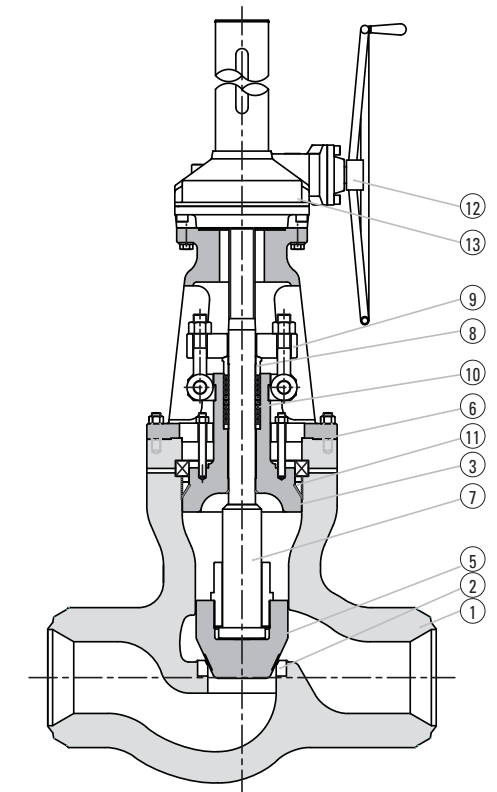
Features

The valve shut off flow direction of fluid by vertical movement of plug type disc.

1. Suitable for the use of flow control and opening / closing fluid in uni-direction.
2. Short opening and closing time.
3. As linear movement valve, long face to face dimension is featured for adopting long flow passage which is required to ensure smooth flow by valve without sudden revolution.

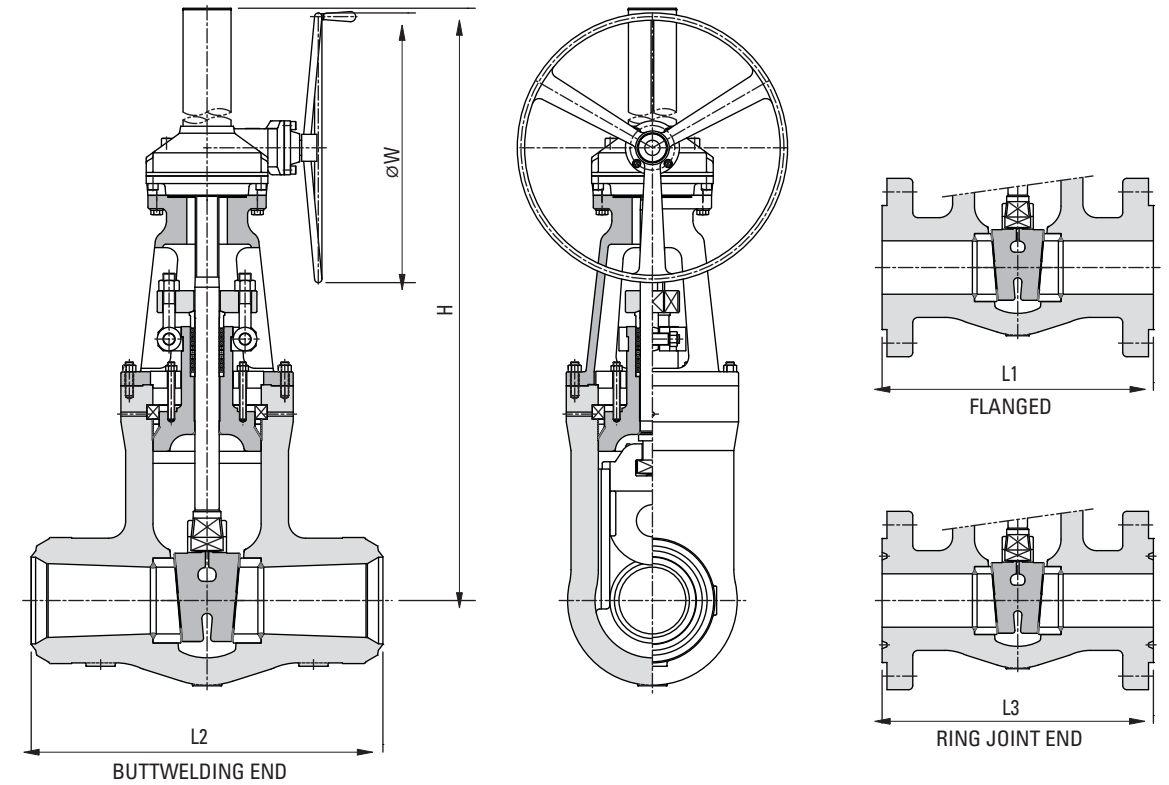
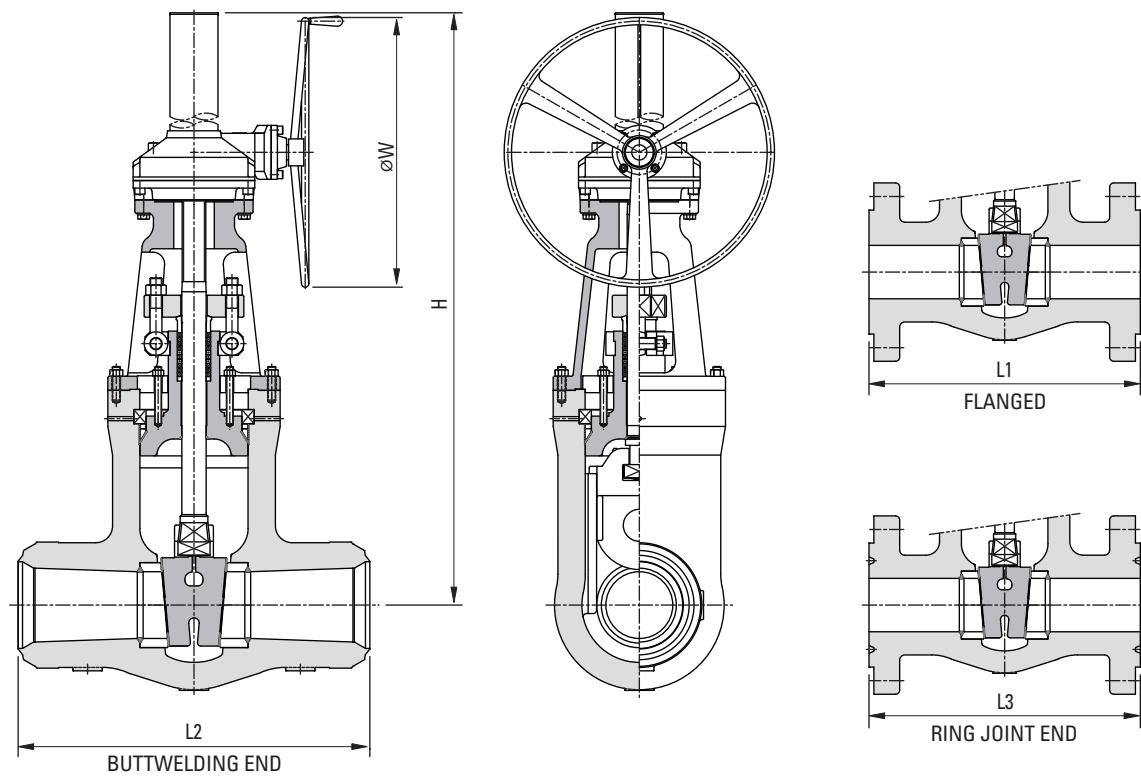
Construction of Materials

NO.	PART NAME	MATERIAL
1	BODY	CAST STEEL / STAINLESS STEEL
2	BODY SEAT RING	STEEL with 13Cr. FACED / STAINLESS STEEL
3	BONNET	CAST STEEL / STAINLESS STEEL
5	DISC	STEEL with 13Cr. FACED / STAINLESS STEEL
6	YOKE	CAST STEEL / STAINLESS STEEL
7	STEM	STAINLESS STEEL
8	GLAND RING	STAINLESS STEEL
9	PACKING GLAND	CAST STEEL / STAINLESS STEEL
10	PACKING	NON-ASBESTOS
11	METAL GASKET	STAINLESS STEEL
12	HAND WHEEL	CAST IRON / CAST STEEL
13	GEAR BOX	ASS'Y



Pressure Seal Gate Valve CLASS 600LB and 900LB

Pressure Seal Gate Valve CLASS 1500LB and 2500LB



CLASS 600LB

(unit : mm)

SIZE	2"	2.5"	3"	4"	6"	8"	10"	12"	14"	16"	18"	20"	24"	
	50A	65A	80A	100A	150A	200A	250A	300A	350A	400A	450A	500A	600A	
L1	292	330	356	432	559	660	787	838	889	991	1092	1194	1397	
L2	292	216	254	305	457	584	711	813	889	991	1092	1194	1397	
L3	295	333	359	435	562	663	790	841	892	994	1095	1200	1407	
H	458	474	533	653	850	1037	1205	1621	1750	1937	2233	2537	2722	
W	250	250	250	355	400	450	500	560	630	630	710	710	900	
WEIGHT (KG)	FLANGED	29	47	59	101	184	281	480	870	1001	1441	1818	2482	3705
	BUTTWELD	27	38	51	89	157	236	413	773	901	1352	1588	2147	3147

CLASS 900LB

(unit : mm)

SIZE	2"	2.5"	3"	4"	6"	8"	10"	12"	14"	16"	18"	20"	24"	
	50A	65A	80A	100A	150A	200A	250A	300A	350A	400A	450A	500A	600A	
L1	368	419	381	457	610	737	838	965	1029	1130	1219	1321	1549	
L2	216	254	305	356	508	660	787	914	991	1092	1219	1321	1549	
L3	371	422	384	460	613	740	841	968	1039	1140	1232	1334	1568	
H	512	618	652	749	914	1088	1530	1767	1833	2041	2488	2671	3001	
W	355	400	400	450	500	560	630	710	900	900	900	900	900	
WEIGHT (KG)	FLANGED	60	126	131	133	335	622	1067	1151	1687	2379	2956	3613	5457
	BUTTWELD	54	104	114	118	285	523	917	1022	1519	2233	2581	3125	4635

CLASS 1500LB

(unit : mm)

SIZE	2"	2.5"	3"	4"	6"	8"	10"	12"	14"	16"	18"	20"	24"	
	50A	65A	80A	100A	150A	200A	250A	300A	350A	400A	450A	500A	600A	
L1	368	419	470	546	705	832	991	1130	1257	1384	1537	1664	1943	
L2	216	254	305	406	559	711	864	991	1067	1194	1346	1473	1626	
L3	371	422	473	549	711	842	1000	1146	1276	1406	1559	1686	1971	
H	517	641	689	755	1195	1544	1725	1998	2094	2370	2616	2905	3501	
W	355	400	450	500	560	630	710	900	900	900	900	900	900	
WEIGHT (KG)	FLANGED	77	144	155	236	479	1182	1581	3035	3267	4519	6048	7760	10779
	BUTTWELD	73	124	143	219	458	1116	1527	3029	3300	4000	4800	6000	8000

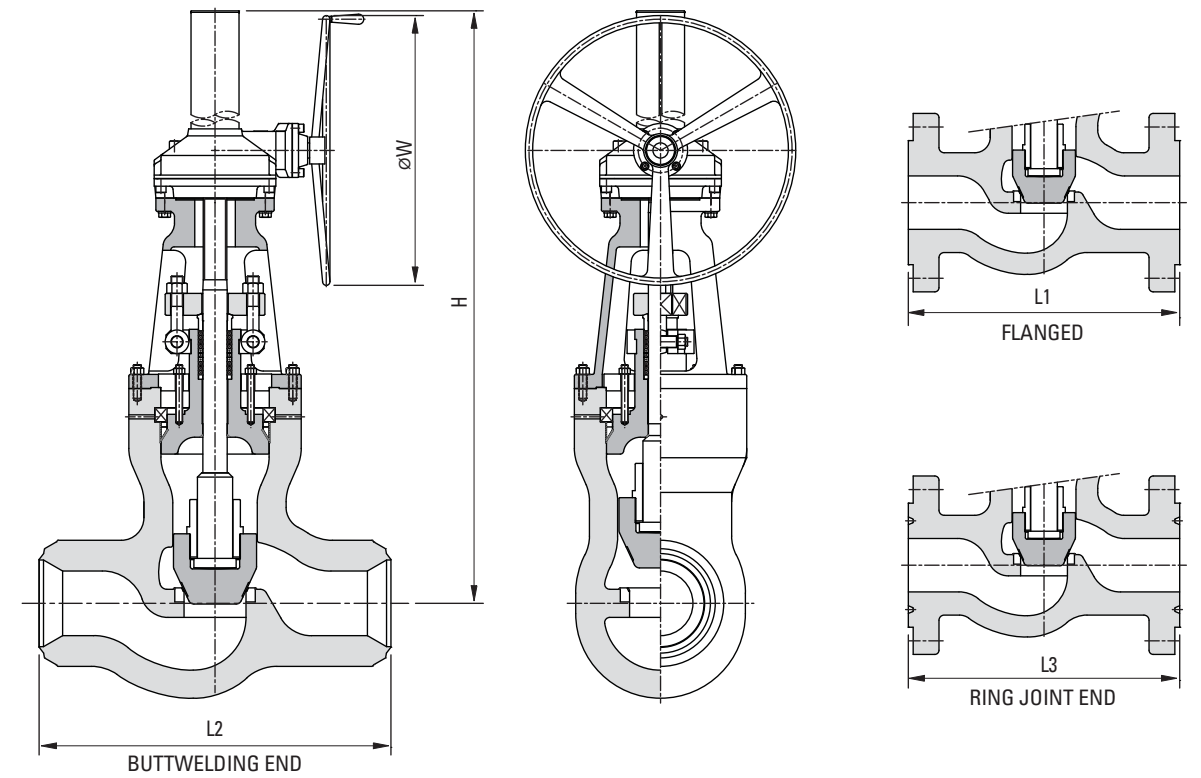
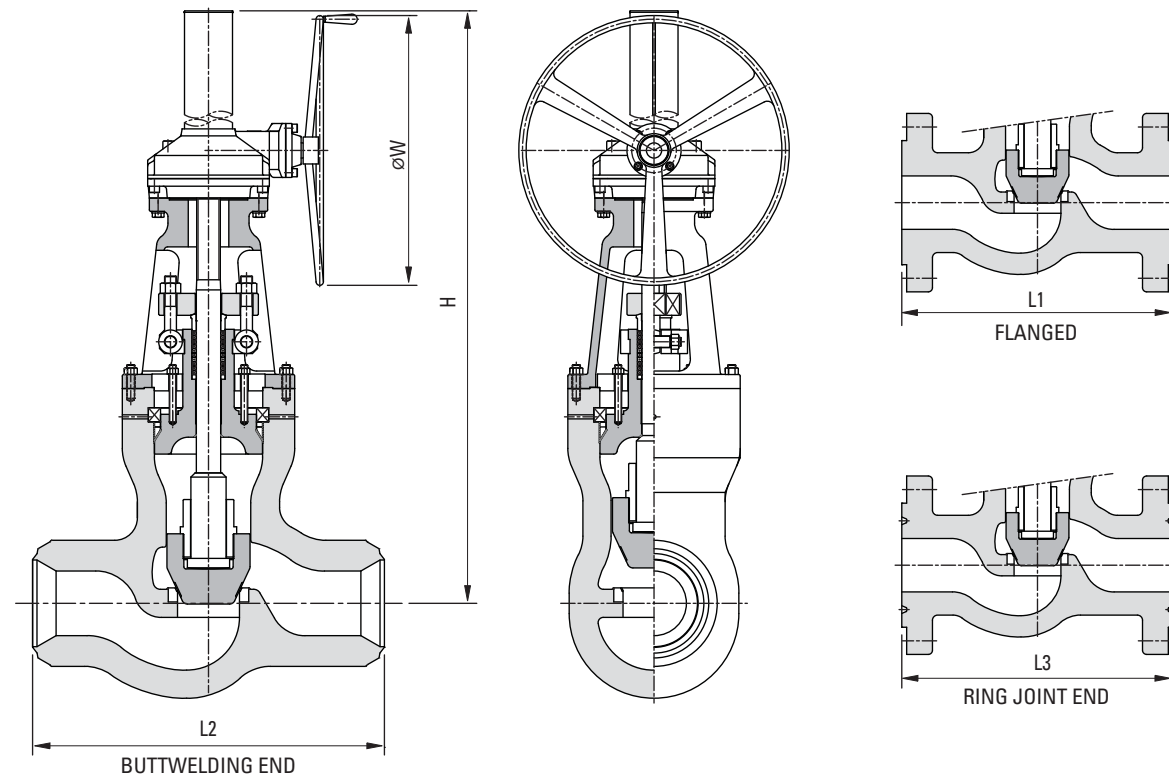
CLASS 2500LB

(unit : mm)

SIZE	2"	2.5"	3"	4"	6"	8"	10"	12"	14"	16"	18"	
	50A	65A	80A	100A	150A	200A	250A	300A	350A	400A	450A	
L1	451	508	578	673	914	1022	1270	1422	-	-	-	
L2	279	330	368	457	610	762	914	1041	1118	1245	1397	
L3	454	514	584	683	927	1038	1292	1444	-	-	-	
H	619	659	809	780	1250	1691	1902	2094	2355	2470	2950	
W	355	400	450	560	630	710	900	900	900	1000	1000	
WEIGHT (KG)	FLANGED	85	178	165	347	810	1828	2374	3480	-	-	-
	BUTTWELD	92	144	171	248	520	1250	1600	3200	3400	4200	5000

Pressure Seal Globe Valve CLASS 600LB and 900LB

Pressure Seal Globe Valve CLASS 1500LB and 2500LB



CLASS 600LB

(unit : mm)

SIZE	2"	2.5"	3"	4"	6"	8"	10"	12"	14"	16"	
	50A	65A	80A	100A	150A	200A	250A	300A	350A	400A	
L1	292	330	356	432	559	660	787	818	889	991	
L2	292	330	356	432	559	584	711	813	889	991	
L3	295	333	359	435	562	664	791	841	892	994	
H	504	545	635	660	956	1082	1212	1486	1863	2172	
W	250	355	355	450	560	710	900	900	900	900	
WEIGHT (KG)	FLANGED	32	35	47	96	180	485	759	1519	2386	3194
	BUTTWELD	26	30	40	76	153	416	638	1266	2036	2734

CLASS 1500LB

(unit : mm)

SIZE	2"	2.5"	3"	4"	6"	8"	10"	12"	14"	
	50A	65A	80A	100A	150A	200A	250A	300A	350A	
L1	368	419	470	546	705	832	991	1130	1257	
L2	368	419	305	406	559	711	864	991	1067	
L3	371	422	473	549	711	841	1000	1146	1276	
H	536	688	675	875	1227	1760	1974	2096	2476	
W	400	400	450	560	710	900	900	900	900	
WEIGHT (KG)	FLANGED	70	120	155	244	530	1720	2781	3805	4717
	BUTTWELD	57	102	133	183	425	1393	2339	3171	4025

CLASS 900LB

(unit : mm)

SIZE	2"	2.5"	3"	4"	6"	8"	10"	12"	14"	16"	
	50A	65A	80A	100A	150A	200A	250A	300A	350A	400A	
L1	368	419	381	457	610	737	838	965	1029	1130	
L2	368	419	381	457	508	660	787	914	991	1092	
L3	371	422	384	460	613	740	841	968	1038	1140	
H	536	688	636	693	1165	1152	1554	1998	2009	2319	
W	355	400	400	450	560	710	900	900	900	900	
WEIGHT (KG)	FLANGED	69	118	132	143	312	1056	1781	2291	3188	3716
	BUTTWELD	54	96	107	108	251	860	1507	1921	2736	3199

CLASS 2500LB

(unit : mm)

SIZE	2"	2.5"	3"	4"	6"	8"	10"	12"	
	50A	65A	80A	100A	150A	200A	250A	300A	
L1	451	508	578	673	914	1022	1270	1422	
L2	279	508	578	457	610	762	914	1041	
L3	454	514	584	682	927	1038	1292	1444	
H	637	719	743	1205	1345	2160	2540	2692	
W	450	500	560	710	900	900	1000	1000	
WEIGHT (KG)	FLANGED	100	155	210	500	1250	2400	3300	4200
	BUTTWELD	70	110	140	350	950	2000	2500	3300

Resilient Seat Gate Valves

Features

- Ductile iron body and bonnet for high strength and impact resistance.
- Ductile iron disc fully encapsulated in EPDM rubber to ensure tight shut-off sealing.
- Stainless steel shaft for high strength and corrosion resistance.
- Fusion Bonded Epoxy coating for long life corrosion protection.
- Straight through full bore to avoid debris traps.

Specification

- Design standard : BS 5163, AWWA C509, DIN 3202
- Design Temperature : Up to 120 °C
- Size : DN 50mm (2inch) ~ DN 600mm (24 inch)
- Flange Rating : ASME Class 150LB
EN/ISO PN10, PN16

Applications

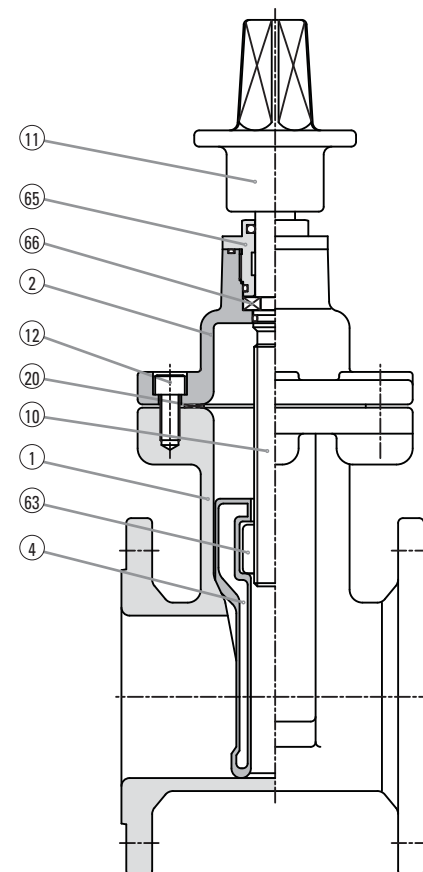
- Water works
- Water treatment plants
- Plumbing and Sanitary system
- Drainage system
- HVAC system
- Fire protection system

Operations

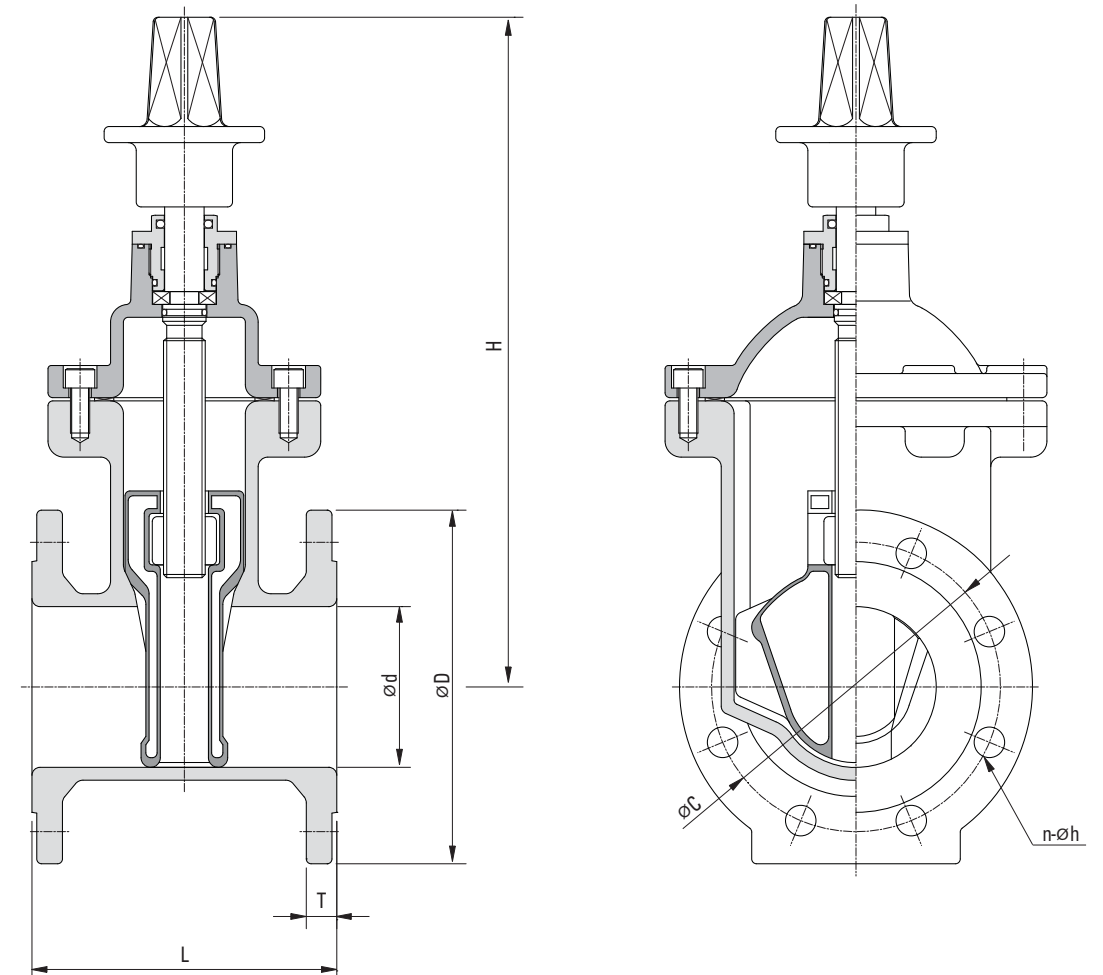
- Manual hand wheel Operation
- Manual spur or bevel gear Operation
- Electric actuator Operation

Construction of Materials

NO.	PART NAME	MATERIAL
1	BODY	DUCTILE IRON
2	BONNET	DUCTILE IRON
4	DISC	DUCTILE IRON + EPDM LINING
10	STEM	STAINLESS STEEL
11	CAP	DUCTILE IRON
12	BONNET BOLT	STAINLESS STEEL
20	GASKET	EPDM
63	SCREWED PIECE	BRASS
65	GUIDE BUSH	BRASS
66	GUIDE BUSH	BRASS



Resilient Seat Gate valve

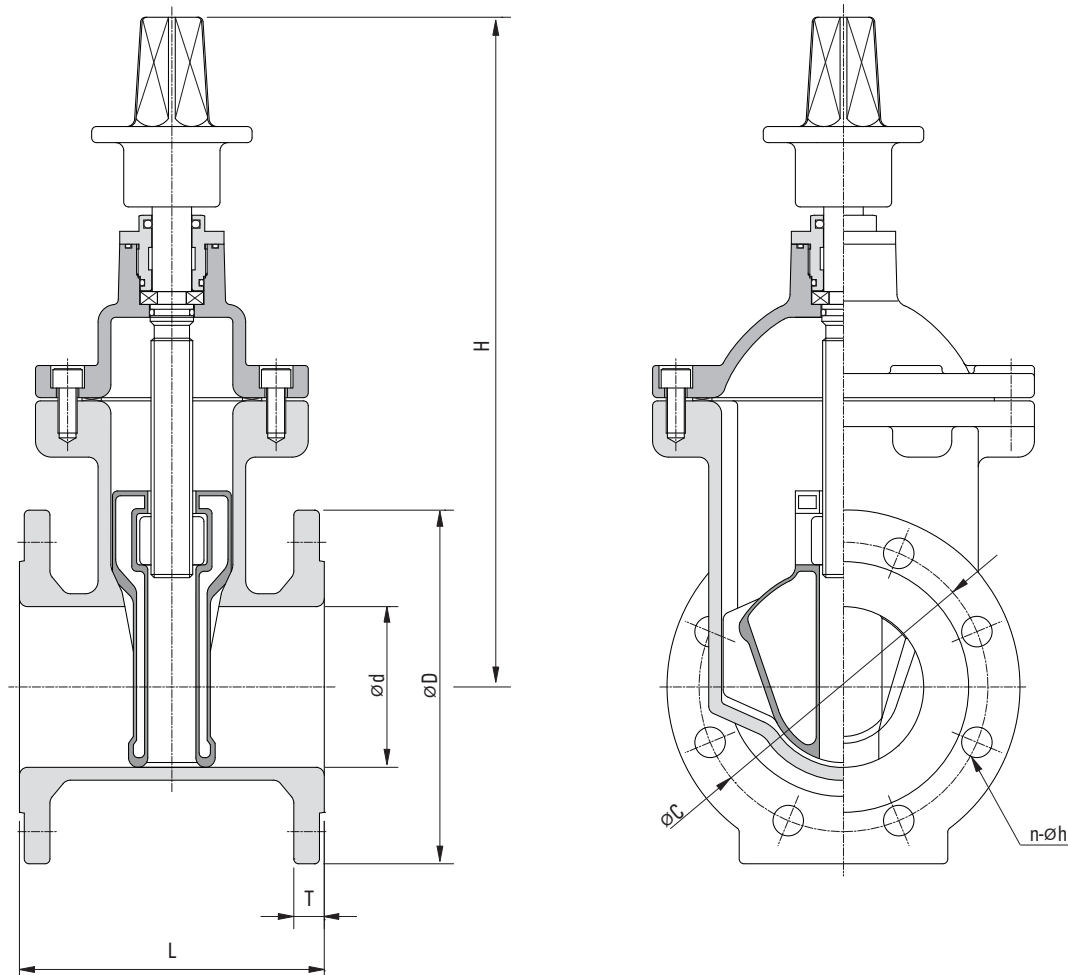


PN 10

SIZE	2"	2.5"	3"	4"	6"	8"	10"	12"	14"	16"	18"	20"	24"
	50A	65A	80A	100A	150A	200A	250A	300A	350A	400A	450A	500A	600A
L	178	190	203	229	267	292	330	356	381	406	432	457	508
øD	165	185	200	220	285	340	395	445	505	565	615	670	780
øC	125	145	160	180	240	295	350	400	460	515	565	620	725
n-øh	4-ø19	8-ø19	8-ø19	8-ø19	8-ø23	8-ø23	12-ø23	12-ø23	16-ø23	16-ø28	20-ø28	20-ø28	20-ø31
T	19	19	19	19	19	20	22	24.5	24.5	24.5	25.5	26.5	30
H	300	330	340	365	455	540	640	740	1110	1240	1350	1450	1550
WEIGHT (kg)	13	15	22	26	50	75	125	174	320	430	540	690	840

(unit : mm)

Resilient Seat Gate valve



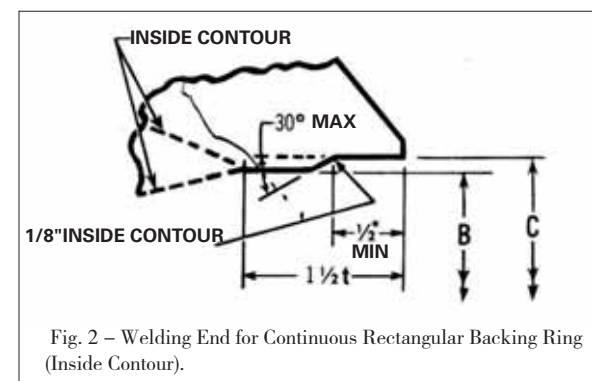
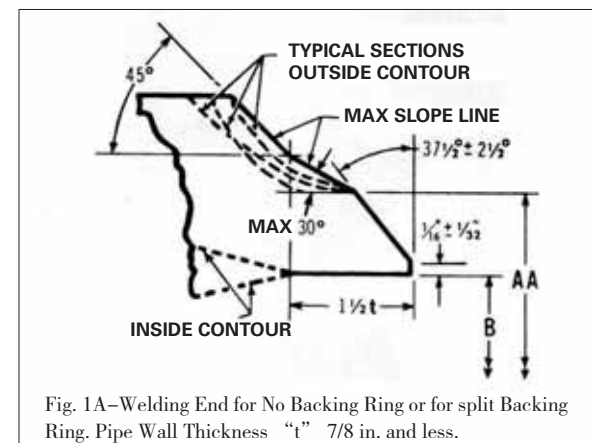
PN 16

(unit : mm)

SIZE	2"	2.5"	3"	4"	6"	8"	10"	12"	14"	16"	18"	20"	24"
	50A	65A	80A	100A	150A	200A	250A	300A	350A	400A	450A	500A	600A
L	178	190	203	229	267	292	330	356	381	406	432	457	508
øD	165	185	200	220	285	340	405	460	520	580	640	715	840
øC	125	145	160	180	240	295	355	410	470	525	585	650	770
n-øh	4-ø19	8-ø19	8-ø19	8-ø19	8-ø23	12-ø23	12-ø28	12-ø28	16-ø28	16-ø31	20-ø31	20-ø34	20-ø37
T	19	19	19	19	19	20	22	24.5	26.5	28	30	31.5	36
H	300	330	340	365	455	540	640	740	1110	1240	1350	1450	1550
WEIGHT (kg)	13	15	22	26	50	75	127	178	325	435	549	710	878

Butt welding end Dimensions For Valves (ASME B16.25)

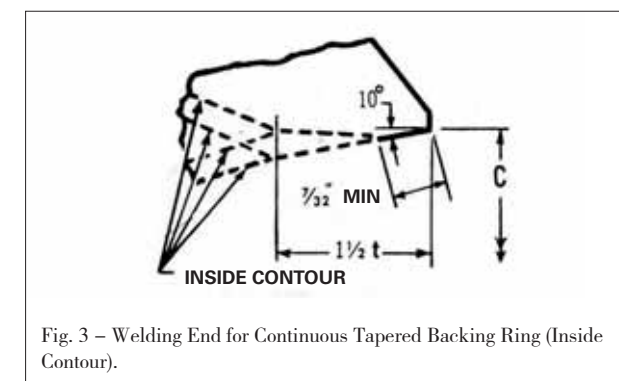
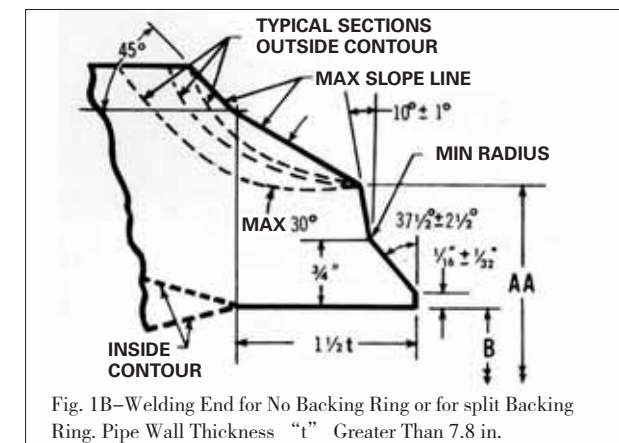
NOMINAL PIPE SIZE (INCHES)	3	4	5	6	8	10	12	14	16	18	20	24
AA DIAMETER (INCHES)	3 19/32	4 5/8	5 11/16	6 25/32	8 25/32	10 15/16	12 31/32	14 1/4	16 1/4	18 9/32	20 5/16	24 3/8



A - Nominal outside diameter of pipe, inches.
 AA - Nominal outside diameter for cast steel valves, inches (see table).
 B - Nominal inside diameter of pipe, inches.
 t - Nominal wall thickness of pipe, inches.
 C - A-0.031 - 1.75t - 0.010.
 Regardless of tolerances specified for dimensions A and B, the thickness of the welding end shall never be less than 87 1/2 percent of the nominal thickness of the pipe.
 For complete dimensions, details, and tolerances, see ASME B 16.25.

OUTSIDE CONTOUR

When the thickness at the welding end of the valve is greater than that of the mating pipe, and when the additional thickness increases the outside diameter, a taper weld having a slope not exceeding 1:3 may be employed, or the greater outside diameter may be extended back in a manner within the maximum slope lines indicated in Figs. 1A and 1B. The trASMEtion shall be of a shape avoiding sharp re-entrant angles and abrupt changes in slope. The profile of the outside contour shall be at the manufacturer's option provided above conditions are met.



INSIDE CONTOUR

For a joint without a continuous backing ring, the inside contour of the valve end shall be bored to a diameter B to a depth of 1/2t. The inside diameter of a valve end beyond this machined surface may be either larger or smaller than the inside diameter of the pipe. The trASMEtion shall be of a shape avoiding sharp re-entrant angles and abrupt changes in slope. See Figs. 1A and 1B. (TrASMEtion shape also applies to Fig. 2 and 3.)

For a joint with a continuous rectangular backing ring, the inside contour of the valve end shall be a straight bore of diameter C, 1/2 in. deep. This depth is based on a backing ring 3/4 in. wide; but if a wider ring is used, the depth shall be increased to provide the 1/8 in. minimum end clearance indicated. See Fig. 2.

For a joint with a continuous tapered backing ring, the inside contour of the valve end shall be taperedbored from diameter C at the lip, tapering at 10 deg. to a taper length of 7/32 in. minimum. Beyond this taper length, the bore may be a straight diameter of dimension B, or the 10 deg. taper may be extended to the inside port diameter. See Fig. 3.

* See Figs. 1A and 1B for Outside Contours.